

REBEL

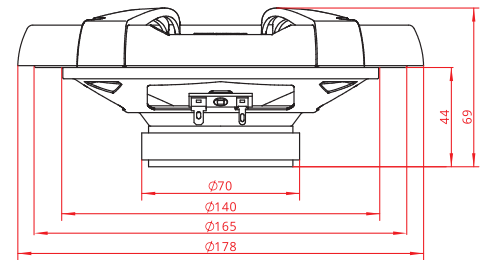
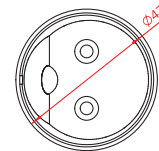
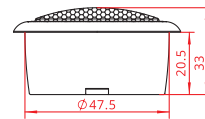
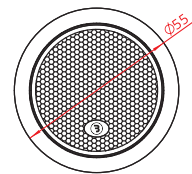
R165C

- 165 mm 2-way component kit
- Durable polypropylene cone and rubber suspension
- 25mm PEI Dome tweeter (Neo magnet) & built in 6dB crossover
- 44mm space saving depth and strong ferrite magnet combo
- Easy upgrade with a great "bang for the buck" experience
- Including Grilles ,flush & angled casing and mounting accessories

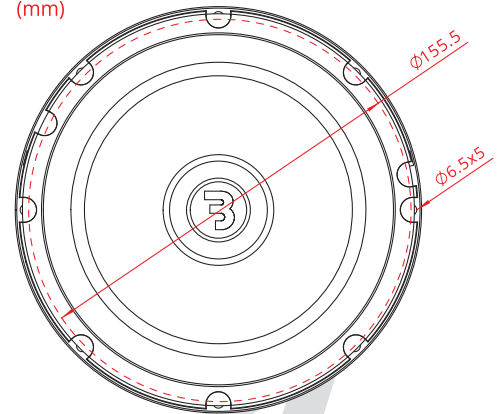


Product Specifications

Component:	Midwoofer	Tweeter
Size:	165mm (6.5")	25mm (1")
RMS Power:	60W	40W
MAX Power:	120W	80W
PEAK Power:	180W	120W
Impedance:	4 Ohm	4 Ohm
Sensitivity:	87dB	92dB
Frequency range:	73-20000Hz	4000-20000Hz
Cone Material:	Polypropylene	PEI diaphragm
Frame Material:	Steel	Plastic
Suspension Material:	Rubber surround	N/A
Magnet:	Ferrite	Neodymium
Voice Coil Diameter:	25.5mm (1")	13.28mm (0.5")
Voice Coil Wire:	Copper	Copper
Weight:	0.7kg	0.05kg



(mm)



Master carton units	Netto weight	Gross weight	Master carton size	EAN Code
4sets	4.7kg	7.3kg	44x32x20.8cm	7394409026567