

REBEL

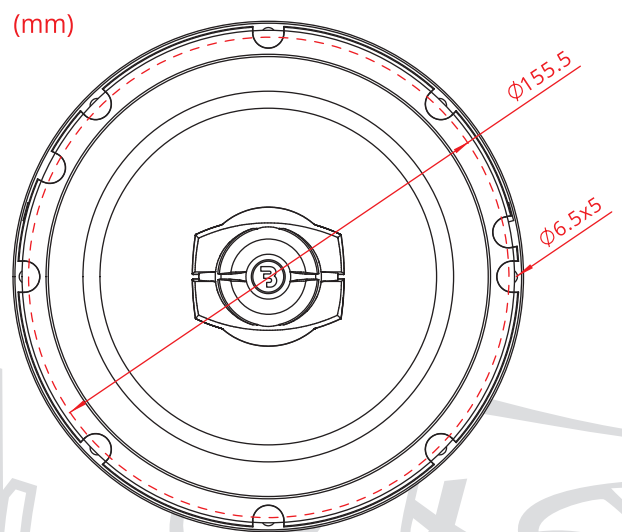
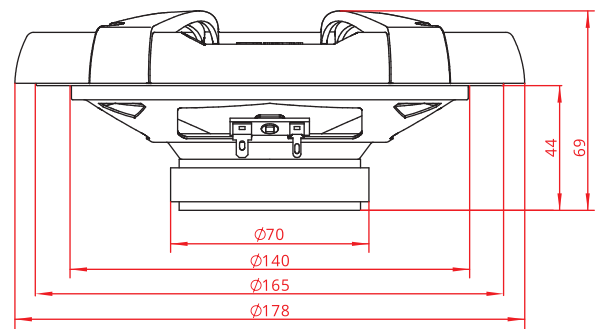
R165



- ③ 165mm 2-way coaxial speaker
- ③ Durable polypropylene cone and rubber suspension
- ③ PEI dome tweeter with neo magnet and built-in crossover
- ③ 44mm space saving depth and strong ferrite magnet combo
- ③ Easy upgrade with a great “bang for the buck” experience
- ③ Including Grilles & mounting accessories

Product Specifications

Component:	2-Way Coaxial Speaker
Size:	165mm (6.5")
RMS Power:	60W
MAX Power:	120W
PEAK Power:	180W
Impedance:	4 Ohm
Sensitivity:	87dB
Frequency range:	75-20000Hz
Cone Material:	Polypropylene
Frame Material:	Steel
Suspension Material:	Rubber surround
Magnet:	Ferrite
Voice Coil Diameter:	25.5mm (1")
Voice Coil Wire:	Copper
Weight:	0.6kg



Master carton units	Netto weight	Gross weight	Master carton size	EAN Code
8prs	8.8kg	11.7kg	39.5x38.5x32.4cm	7394409026674