

REBEL

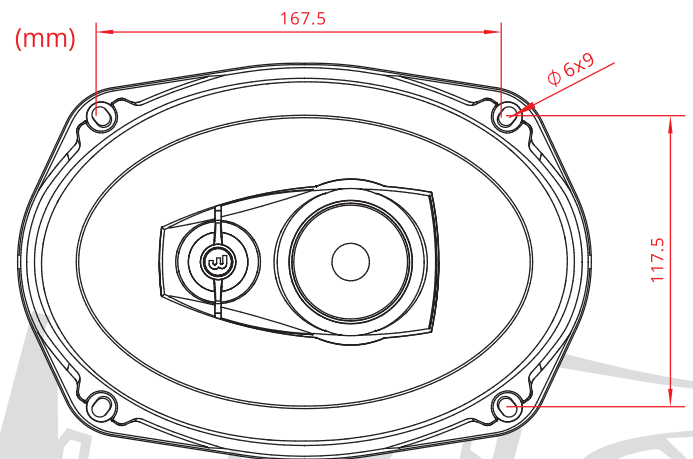
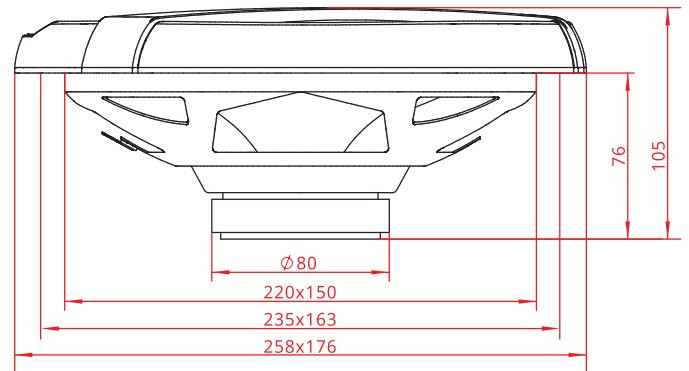
R690



- ③ 235x163 mm (6x9") 3-way coaxial speaker
- ③ Durable polypropylene cone and rubber suspension
- ③ Features PEI cone midrange, Piezo tweeter and built-in crossover
- ③ 76mm space saving depth and strong ferrite magnet combo
- ③ Easy upgrade with a great "bang for the buck" experience
- ③ Including Grilles & mounting accessories

Product Specifications

Component:	3-Way Coaxial Speaker
Size:	235x163mm (6x9")
RMS Power:	60W
MAX Power:	120W
PEAK Power:	180W
Impedance:	4 Ohm
Sensitivity:	88dB
Frequency range:	60-20000Hz
Cone Material:	Polypropylene
Frame Material:	Steel
Suspension Material:	Rubber surround
Magnet:	Ferrite
Voice Coil Diameter:	25.5mm (1")
Voice Coil Wire:	Copper
Weight:	1.0kg



Master carton units	Netto weight	Gross weight	Master carton size	EAN Code
4prs	7.6kg	10.3kg	51x40.5x29cm	7394409026581