

# ELITE

## SE2200M 2

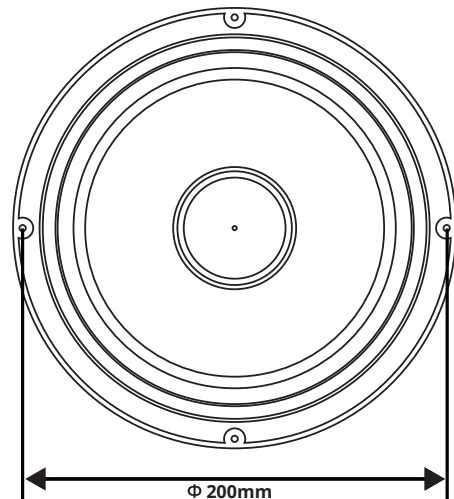
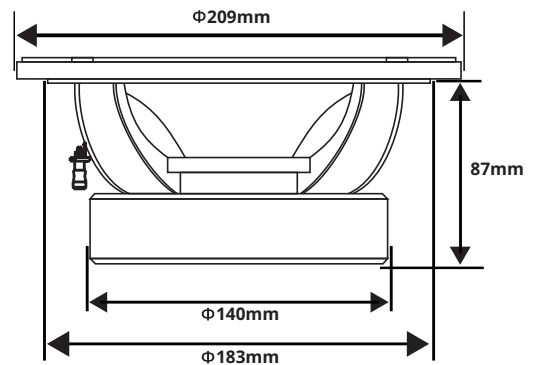


**4** Ohm      **98** dB SPL

- ③ 8" SPL midrange
- ③ High sensitivity driver with impressive performance
- ③ Strong oversized ferrite motor for massive power handling
- ③ Tough fiberglass reinforced paper cone with 2" voice coil
- ③ Big aluminium phase plug for great heat dissipation
- ③ Heavy die cast aluminium basket

### Product Specifications

Product Type:	Midrange
Size woofer:	200mm (8")
RMS Power:	250W
MAX Power:	500W
PEAK Power:	750W
Impedance	4 Ohm
Sensitivity:	98dB
Frequency range:	90-6500Hz
Cone Material:	Fiberglass Reinforced Paper
Frame Material:	Aluminium
Suspension Material:	M-Roll Cloth
Magnet:	Ferrite
Voice Coil Diameter:	51mm (2")
Qts:	0.59
Fs:	105Hz
Vas:	11.6L
Weight:	3.1kg



**HPF Crossover recommendation  
95Hz or higher (12dB/Oct)**

Master carton units	Netto weight	Gross weight	Master carton size	EAN Code
6pcs	19kg	20.5kg	46.7x25x27cm	7394409020688